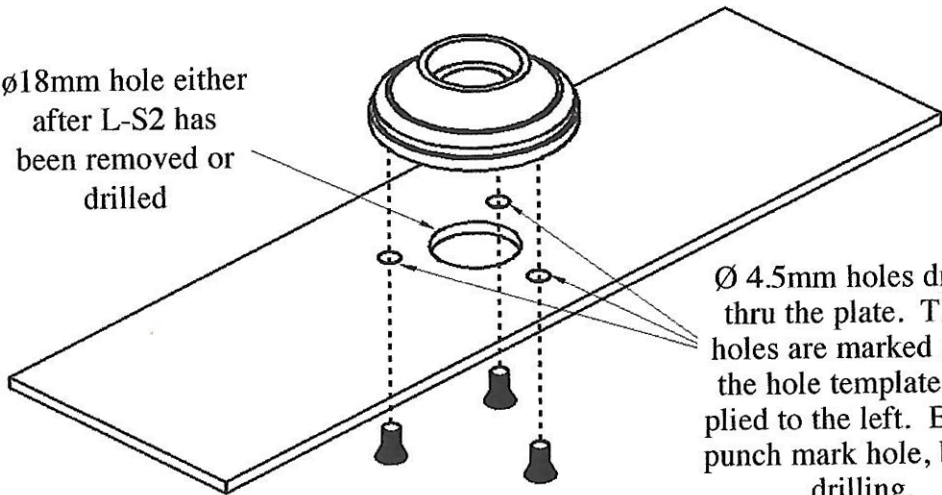


Hole Drilling Template

$\varnothing 18\text{mm}$ hole either
after L-S2 has
been removed or
drilled



$\varnothing 4.5\text{mm}$ holes drilled
thru the plate. These
holes are marked using
the hole template sup-
plied to the left. Best to
punch mark hole, before
drilling.

