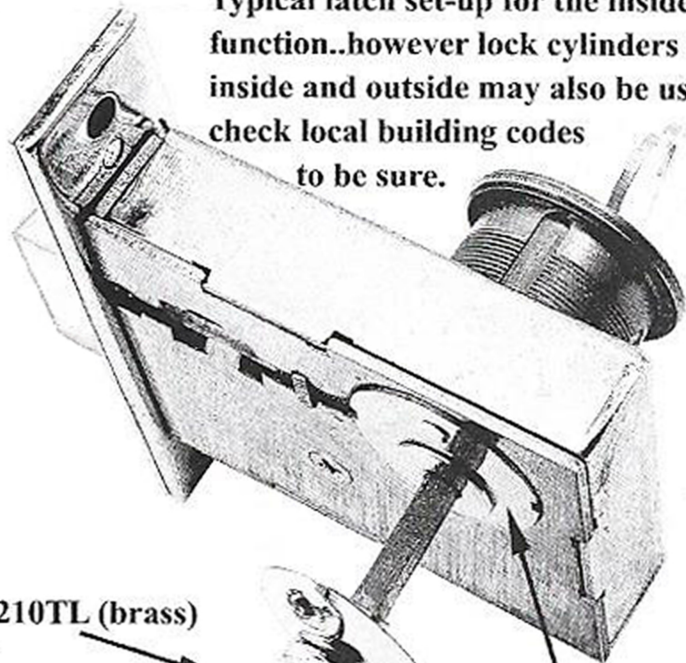


Typical latch set-up for the inside/outside function..however lock cylinders on both inside and outside may also be used but check local building codes to be sure.



L-210TL (brass)

or

L-DK210TL

(antiqued)

or

L-N210TL (nickel plated)

L-211A adapter for  
using the turn latch